

For Security & Surveillance

4X 2.8~12mm

4Mega Pixel

4 百萬畫像素

IRcorrected

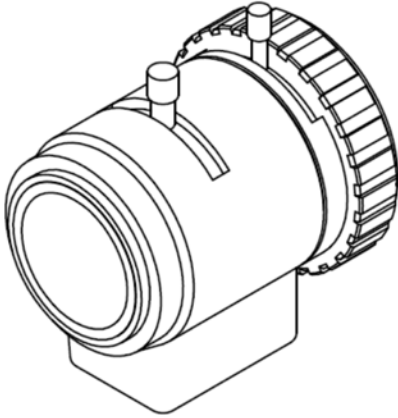
紅外線色差補償

High Quality

高品質

All Glass

全玻璃



Main Features :

- ◇ 4 Megapixel design with Auto Iris.  
4 百萬畫像素自動光圈鏡頭
- ◇ IR corrected for superior night sensitivity.  
準確的夜間紅外線色差補償
- ◇ No focus shift from day to night.  
日夜不失焦
- ◇ High accuracy lens adopted, achieving the high quality image.  
採用高精度鏡片 · 實現高品質影像
- ◇ All glass elements.  
採用全玻璃鏡組
- ◇ 1/2.7" Format with 2.8-12mm vari-focal range.  
1/2.7" 可變焦距 2.8-12mm
- ◇ Multilayer lens coating, minimized reflection in wider wavelength range and superior colour balance and reproduction.  
多層鍍膜 · 能夠在全波長內減少反射 · 且實現色彩的平衡。

PRODUCT NAME (型號)	V2812D-143MPY	
AL LENGTH (MM) (焦距)	(4X) 2.8-12	
APERTURE RANGE (F) (光圈孔徑值域)	1.4~360	
MOUNT (鏡頭座)	CS	
IMAGER SIZE (攝像元件尺寸)	1/2.7"	
ANGLE OF VIEW (DHV) (角度)	WIDE : D136°*H109°*V82° TELE : D39°*H31°*V23°	
BACK FOCAL LENGTH (mm) (後焦距)	6.9	
M.O.D. (m) (近攝距離)	0.3	
WEIGHT (g) (重量)	60	
OPERATION (操作方式)	FOCUS (焦距)	Manual (手動)
	ZOOM (變焦)	Manual (手動)
	IRIS (光圈)	AUTO IRIS (DC) (自動光圈)

